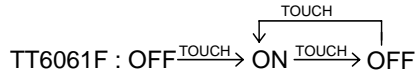


TT6061F PRODUCT SPECIFICATION

GENERAL DESCRIPTION :

TT6061F IC IS A KIND OF CMOS TECHNOLOGY PERMITTED TO DESIGN ON/OFF TOUCH -DIMMER.
 THE DETAILED FUNCTIONS ARE AS FOLLOW :



PIN ASSIGNMENT

PIN NO.	PIN NAME	FUNCTION DESCRIPTION	I/O
1	CK	SYSTEM CLOCK INPUT	I
2	FI	60 OR 50 HZ LINE FREQUENCY	I
3	VDD	POWER INPUT PIN FOR VDD	P
4	TI	TOUCH INPUT	B
5	CI	SENSOR CONTROL INPUT	B
6	NC		P
7	VSS	POWER INPUT PIN FOR VSS	P
8	AT	ANGLE-TRIGGER OUTPUT	O

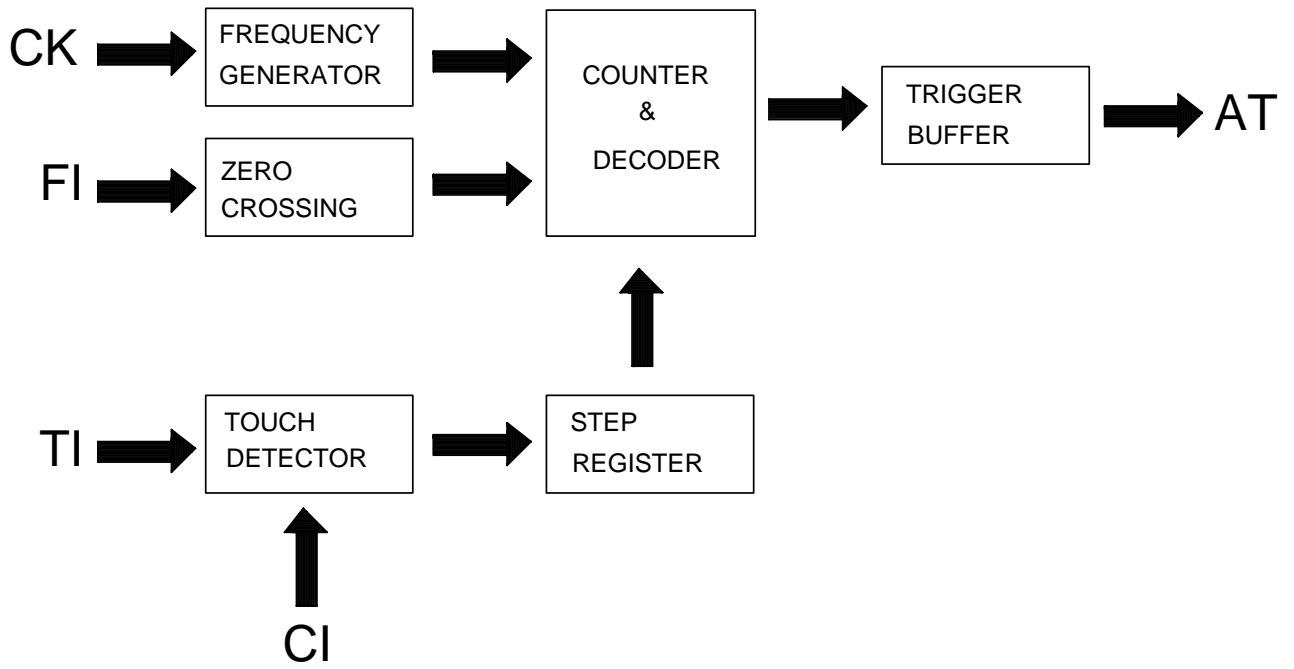
FEATURES :

1. NO MECHANICALLY SWITCH ELEMENTS.
2. HIGH SENSITIVITY AND STABILITY FOR LONG CONNECTING WIRE AND HEAVY LOADING (800pf) ON SENSE-PLATE FOR HUMAN BODY CAPACITY = 50pf
3. VERY SMALL NUMBER OF PERIPHERAL COMPONENTS REQUIRED

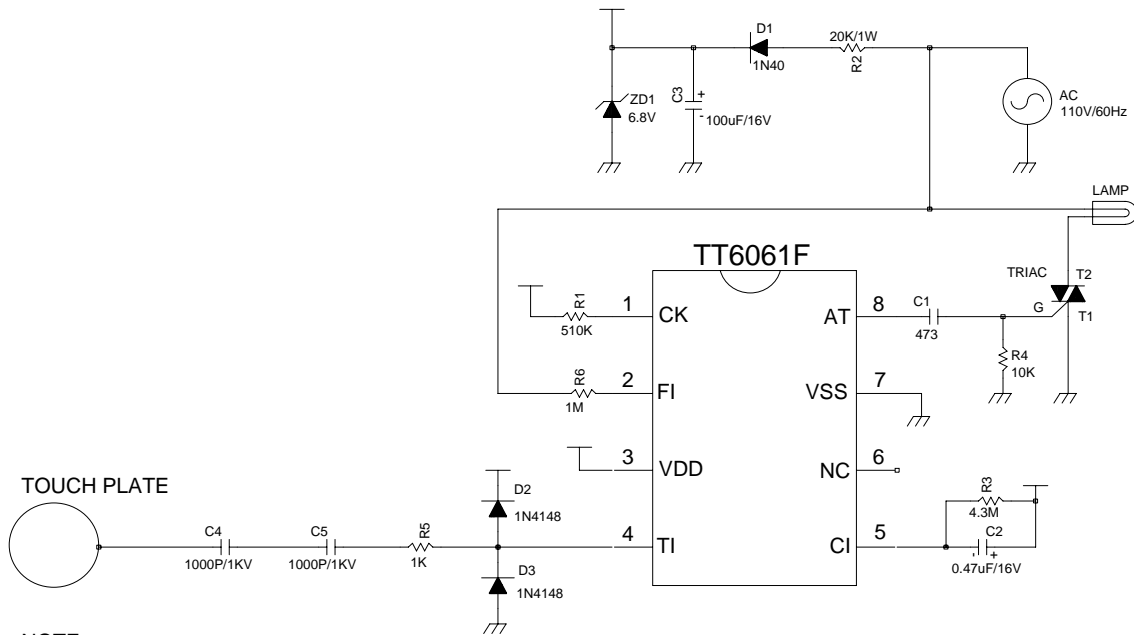
OPERATING PARAMETER :

1. OPERATING VOLTAGE : 6.8 V
2. OPERATING CURRENT : ≤ 1.0 mA
3. TRIGGER OUTPUT CURRENT (AT PIN) : ≤ -30 mA ($V_{out}=6.8V$)
4. INPUT LEAKAGE : ≤ 0.5 uA
5. INPUT LOW VOLTAGE : $\leq VSS + 0.5V$
6. INPUT HIGH VOLTAGE : $\geq VDD - 0.5V$
7. OPERATING TEMPERATURE : $0^{\circ}C \sim 80^{\circ}C$
8. STORAGE TEMPERATURE : $-20^{\circ}C \sim 120^{\circ}C$

TT6061F BLOCK DIAGRAM

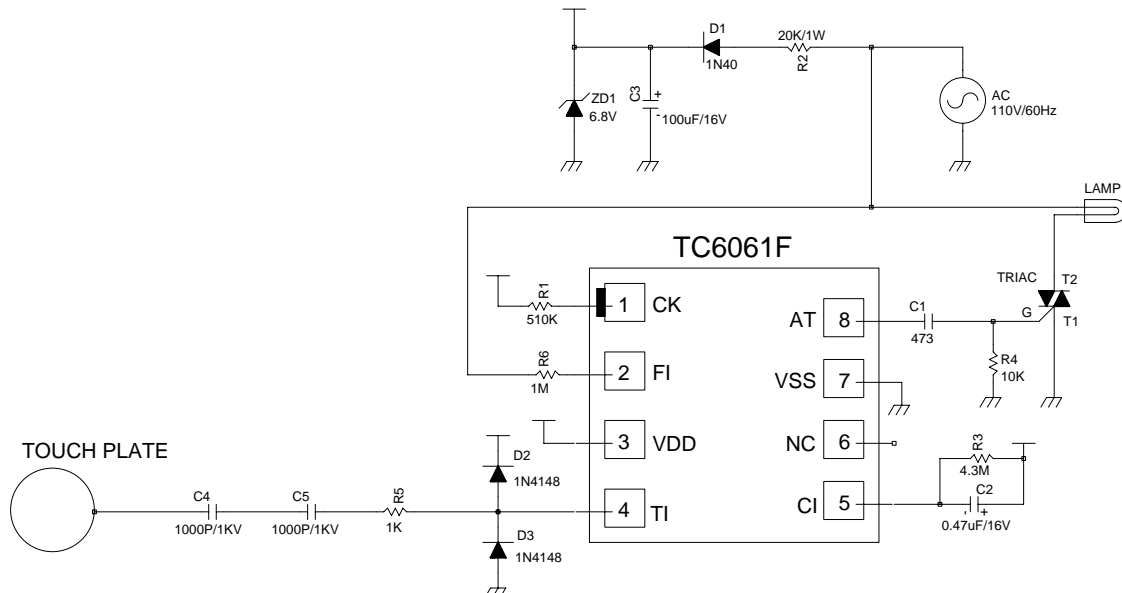


TT6061F RECOMMEND APPLICATION DIAGRAM



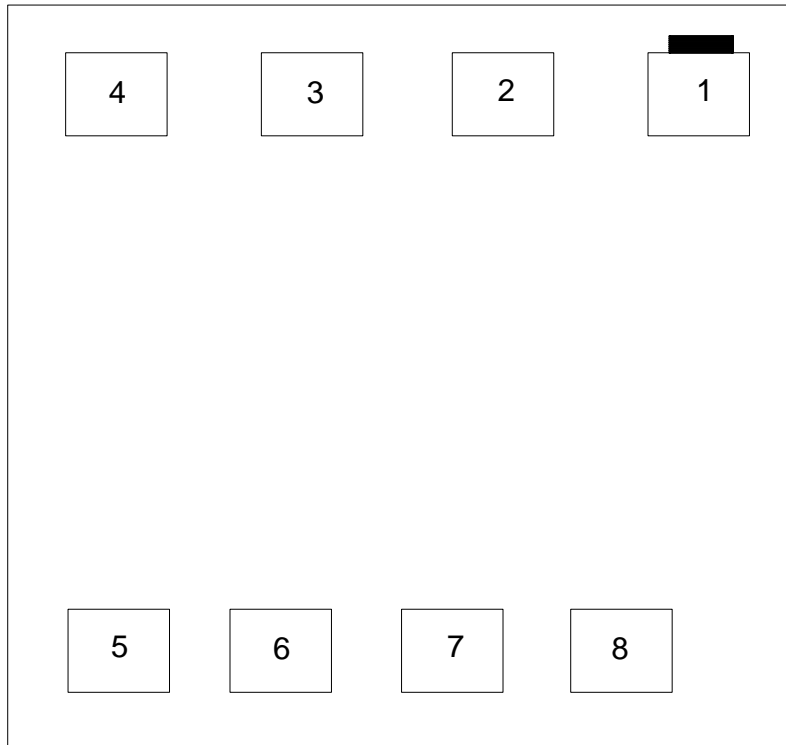
NOTE : FOR 220V/50HZ :
 CHANGE R1 510K TO 620K (FOR 60HZ CHANGE TO 50HZ)
 CHANGE R2 20K/1W TO 40K/2W (FOR 110V CHANGE TO 220V)
 CHANGE R6 1M TO 1.5M (FOR 110V CHANGE TO 220V)

TC6061F RECOMMEND APPLICATION DIAGRAM



NOTE : FOR 220V/50HZ :
 CHANGE R1 510K TO 620K (FOR 60HZ CHANGE TO 50HZ)
 CHANGE R2 20K/1W TO 40K/2W (FOR 110V CHANGE TO 220V)
 CHANGE R6 1M TO 1.5M (FOR 110V CHANGE TO 220V)

TC6061F PAD'S DIAGRAM



TC6061F PAD'S COORDINATE

PIN NAME	PIN NO.	X	Y
CK	1	199.8	267.7
FI	2	51.3	267.7
VDD	3	-66.6	267.7
TI	4	-199.8	267.7
CI	5	-199.8	-267.7
NC	6	-82.8	-267.7
VSS	7	34.2	-267.7
AT	8	151.2	-267.7

CHIP SIZE : 640 um x 830 um

通泰热卖型号：

- TTP223-BA6
- TTP233H-BA6
- TTP233H-HA6
- TT8486
- TTP118-CA6N
- TTP230-AB6
- TT8486H
- TTY6753
- TT8486F
- TTP233D-PH6
- TTP233D-PH6
- TTP118-A08N
- TT6061A
- TTP224N-BSB
- TTP224N-BSBN
- TTY6757
- TTP233D-MA6N
- TTP233D-MA6N
- TTP117-C08N

Order Information :

- a. Package form : TT6061F
- b. Chip form : TC6061F
- c. Wafer base : TD6061F

卓联微官网：www.jointwel.com.cn